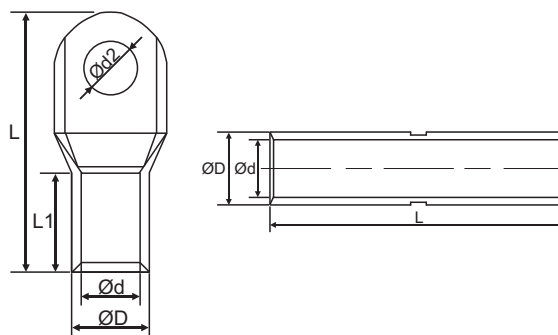




Características

Material	Cobre Eletrolítico Estanhado
Tipo	Tubular
Utilização	Compressão

Dimensões (mm)



Aplicações

Terminal e luva de compressão em cobre eletrolítico estanhado para emenda/acabamento em cabos elétricos

Terminal SC

Código	Referência
13976	SC-1,5-4
13977	SC-1,5-5
13978	SC-1,5-6
13979	SC-2,5-4
13980	SC-2,5-5
13981	SC-2,5-6
13982	SC-4-5
13983	SC-4-6
13984	SC-4-8
13985	SC-6-5
13986	SC-6-6
13987	SC-6-8
13988	SC-10-6
13918	SC-10-8
13989	SC-10-10
13919	SC-16-8
13990	SC-16-10
13991	SC-16-12
13920	SC-25-8
13992	SC-25-10
13993	SC-25-12
13994	SC-35-8
13921	SC-35-10
13995	SC-35-12
13996	SC-50-8
13922	SC-50-10
13997	SC-50-12
13998	SC-70-10
13923	SC-70-12
13999	SC-70-16
13924	SC-95-10
14000	SC-95-16
14001	SC-120-8
14002	SC-120-10
13925	SC-120-12
14003	SC-120-14
14004	SC-120-16
14005	SC-150-10
13926	SC-150-12
14006	SC-150-14
14007	SC-150-16
14008	SC-185-12
14009	SC-185-16
14010	SC-240-14
13927	SC-240-16

Luva GTY

Código	Referência
14011	GTY1,5
14012	GTY2,5
14013	GTY4
14014	GTY6
14015	GTY10
14016	GTY16
14017	GTY25
14018	GTY35
14019	GTY50
14020	GTY70
14021	GTY95
14022	GTY120
14023	GTY150

Especificações (mm)

Modelo	ØD	Ød	L	Pacote
GTY1,5	3.4	2.4	20.4	100
GTY2,5	3.9	2.9	20.4	100
GTY4	4.7	3.4	20.4	100
GTY6	5.4	4.0	25.4	100
GTY10	6.6	4.9	30.4	100
GTY16	7.4	5.7	35.4	100
GTY25	8.9	7.1	40.4	100
GTY35	10.4	8.4	45.4	100
GTY50	12.4	10.0	50.4	50
GTY70	14.4	11.6	55.4	10
GTY95	16.9	13.7	60.4	10
GTY120	19.4	15.8	65.4	10
GTY150	20.4	16.6	70.4	10

Especificações (mm)

Modelo	Seção	Ød2	Ød	ØD	L1	L	Pacote	Modelo	Seção	Ød2	Ød	ØD	L1	L	Pacote
SC-1,5-4	1.5	4.3	1.8	3.3	6.5	17.0	10	SC-35-12	35	12.4	8.4	10.7	14.5	38.0	10
SC-1,5-5	1.5	5.3	1.8	3.3	6.5	17.0	10	SC-50-8	50	8.3	9.7	12.4	17.0	43.0	10
SC-1,5-6	1.5	6.3	1.8	3.3	6.5	17.0	10	SC-50-10	50	10.4	9.7	12.4	17.0	43.5	10
SC-2,5-4	2.5	4.3	2.5	3.9	7.0	19.0	10	SC-50-12	50	12.4	9.7	12.4	17.0	44.0	10
SC-2,5-5	2.5	5.3	2.5	3.9	7.0	19.5	10	SC-70-10	70	10.4	11.4	14.4	19.5	49.0	10
SC-2,5-6	2.5	6.3	2.5	3.9	7.0	20.0	10	SC-70-12	70	12.4	11.4	14.4	19.5	49.5	10
SC-4-5	4.0	5.3	3.1	4.7	7.5	21.0	10	SC-70-16	70	16.4	11.4	14.4	19.5	50.0	10
SC-4-6	4.0	6.3	3.1	4.7	7.5	21.5	10	SC-95-10	95	10.4	13.6	16.9	23.5	56.5	10
SC-4-8	4.0	8.3	3.1	4.7	7.5	22.0	10	SC-95-16	95	16.4	13.6	16.9	23.5	57.0	10
SC-6-5	6.0	5.3	3.6	5.2	8.0	23.0	10	SC-120-8	120	8.3	14.9	18.9	26.0	60.5	10
SC-6-6	6.0	6.3	3.6	5.2	8.0	23.5	10	SC-120-10	120	10.4	14.9	18.9	26.0	61.0	10
SC-6-8	6.0	8.3	3.6	5.2	8.0	24.0	10	SC-120-12	120	12.4	14.9	18.9	26.0	61.5	10
SC-10-6	10	5.3	4.4	6.2	9.0	24.5	10	SC-120-14	120	14.4	14.9	18.9	26.0	62.0	10
SC-10-8	10	8.3	4.4	6.2	9.0	25.0	10	SC-120-16	120	16.4	14.9	18.9	26.0	62.5	10
SC-10-10	10	10.4	4.4	6.2	9.0	25.5	10	SC-150-10	150	10.4	16.6	20.9	29.0	68.5	10
SC-16-8	16	8.3	5.6	7.4	11.0	28.5	10	SC-150-12	150	12.4	16.6	20.9	29.0	69.0	10
SC-16-10	16	10.4	5.6	7.4	11.0	29.0	10	SC-150-14	150	14.4	16.6	20.9	29.0	69.5	10
SC-16-12	16	12.4	5.6	7.4	11.0	29.5	10	SC-150-16	150	16.4	16.6	20.9	29.0	70.0	10
SC-25-8	25	8.3	7.1	9.0	13.5	33.0	10	SC-185-12	185	12.4	18.4	22.9	33.0	78.0	10
SC-25-10	25	10.4	7.1	9.0	13.5	33.5	10	SC-185-16	185	16.4	18.4	22.9	33.0	78.5	10
SC-25-12	25	12.4	7.1	9.0	13.5	34.0	10	SC-240-14	240	14.4	20.8	26.8	40.0	90.5	10
SC-35-8	35	8.3	8.4	10.7	14.5	38.0	10	SC-240-16	240	16.4	20.8	26.8	40.0	91.0	10
SC-35-10	35	10.4	8.4	10.7	14.5	37.5	10								